



Model 95A03-1 Volume-Source Control (VSC)

DESCRIPTION

The Hi-Fi 2 Volume-Source Control is a 4-button keypad used to interface with Hi-Fi2 audio zones and audio sources. The audio sources can be selected and controlled by any Volume-Source Control (VSC). Additionally, each VSC includes an IR receiver that allows you to remotely control the Hi-Fi2 system and/or audio sources from any audio zone in the house.

INSTALLATION

Volume-Source Control (VSC) Keypads connect directly to the Hi-Fi2 Main Assembly using Cat 5, unshielded, twisted pair (UTP) for communications. Each end of the wire is terminated with an RJ45 connector. The correct wiring scheme for the Cat 5 cable is standard EIA/TIA 568A. Properly terminating the Cat 5 cable is crucial for the operation of the system.

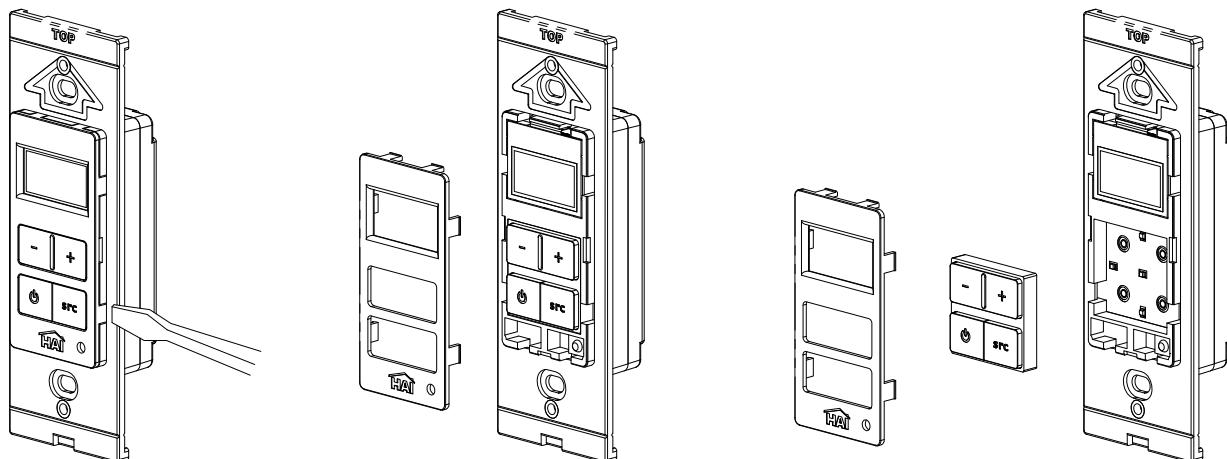
The total distance of Cat 5 between the Hi-Fi2 Main Assembly and the VSC units must not exceed 2000 feet. It is best that no single run of Cat 5 exceeds 250 feet.

Insert the RJ45 connector on one end of the cable to audio zone input jack (1-8) under “Volume Source Control / IR In” on the Hi-Fi2 Main Assembly. Insert the RJ45 connector on the other end of the cable to the jack labeled “Zone Control” on the VSC.

CHANGING THE COLOR OF THE VSC

The color of the VSC may be changed to complement the interior décor. The VSC is supplied with a white faceplate, rubber keypad, and insert. Additional colors are available; contact your HAI distributor for more information. Change the color of the RIM as follows:

1. Remove the faceplate.
2. The insert attaches to the VSC with two latches on the right and two on the left. Using a small-blade screwdriver, gently depress each latch on one side while lifting up on the insert. Once the latches are released on one side, remove the insert from the other side.
3. Remove the rubber keypad.
4. Insert the new rubber keypad. Align the latches of the new insert to the openings on the VSC and gently snap into place.
5. Attach the new faceplate.

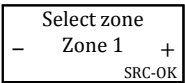


TURNING A VSC ON FOR THE FIRST TIME

When you turn a VSC on for the first time, you will need to configure which audio zone the VSC will control. The following screen is displayed:



To configure the audio zone that the VSC will control, press the **src** button on the VSC.



To select the audio zone that the VSC will control, press the + button to increase the zone number and press the – button to decrease the zone number.

Audio zone settings range from 1 to 16.

If space is available, more than one VSC can be configured to a given audio zone. This is useful if multiple VSC keypads are installed in a large room to control a single audio zone. When multiple VSC keypads are configured to an audio zone, all VSC keypads will mimic one another.

A maximum number of 16 VSC keypads can be installed on a Hi-Fi2 system.